

CBI44S1B

Z enim področjem hlajenja
Vgradni model vinske vitrine



- + Kapaciteta: 44 steklenic
- + Vgradna vinska vitrina
- + Črni dizajn s steklenimi vrati
- + Hladilni sistem: Kompresor
- + Eno področje hlajenja
- + Notranje nastavljiva temperatura 5°C-20°C
- + Elektronsko upravljanje
- + Prikazovalnik temperature
- + Notranja bela LED osvetlitev
- + Nadzor vlažnost
- + Steklena vrata z UV-zaščito



Eco-responsibility

Our products are manufactured in compliance with European environmental rules. Especially, refrigerant fluid (R600a) doesn't reject neither CFC nor HFC and respect environment.

Energy consumption is calculated based on the result obtained for 24h in standard test conditions. The actual energy consumption depends on the conditions of use and location of the device.

This equipment is designed to be used in an ambient temperature between 16°-32°C.

This appliance is intended to be used exclusively for the storage of wine.

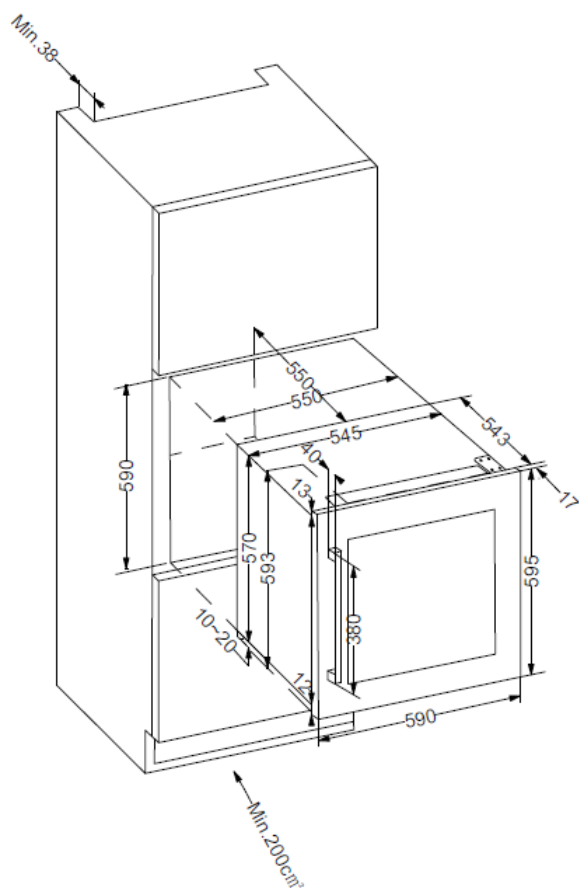
Alcohol abuse is dangerous for health, please consume in moderation.

*Capacity given as an indication with 75cl Bordeaux traditional type bottles and measured with 2 shelves. Adding shelves reduce considerably the total capacity.

CBI44S1B

Eno področje hlajenja

Vgradni model vinske vitrine



> VKLJUČENA OPREMA

- 3 drsne lesene police
- 1 pol drsna lesena polica
- 4 nastavljive nogice (do 1 cm)
- Sistem proti vibracijam

> TEHNIČNE SPECIFIKACIJE

- Energijski razred: G
- Poraba energije: 136 kWh
- Klimatski razred: N
- Glasnost: 41 dB
- EEI: 161.0
- Napetost: 220-240 V
- Moč: 90 W
- Kategorija: 2 - vinske vitrine
- Hladilno sredstvo: R600a

> VARNOST

- Vizualni in opozorilni zvočni signali

> SPECIFIKACIJE

Bruto dimenzije (Š x G x V)	: 65,6 x 62 x 63,5
Neto mere (Š x G x V)	: 59 x 56 x 59,5
Bruto teža (kg)	: 35.00
Neto teža (kg)	: 32.00