

## **CBI28S1B** Enopodročna vinska vitrina Popolnoma vgradna



- + Kapaciteta: 28  
steklenic \*
- + Popolnoma vgradna
- + Dizajn: črna
- + Hladilni sistem: kompresor
- + Nastavljivo temperaturno področje:  
5°C-20°C
- + Elektronsko upravljanje
- + Termometer z belo osvetlitvijo
- + Bela LED osvetlitev
- + 1 zamenljiva vrata z UV zaščita, 2-  
steklitev vrat



### Eco-responsibility

Our products are manufactured in compliance with European environmental rules. Especially, refrigerant fluid (R600a) doesn't reject neither CFC nor HFC and respect environment.

Energy consumption is calculated based on the result obtained for 24h in standard test conditions. The actual energy consumption depends on the conditions of use and location of the device.

This equipment is designed to be used in an ambient temperature between 10°C-38°C.

This appliance is intended to be used exclusively for the storage of wine.

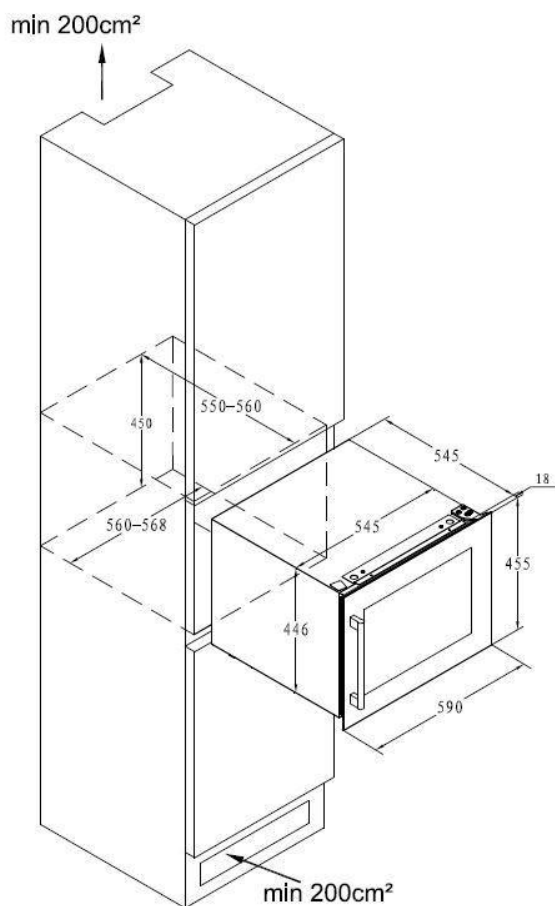
Alcohol abuse is dangerous for health, please consume in moderation.

\*Capacity given as an indication with 75cl Bordeaux traditional type bottles and measured with 2 shelves. Adding shelves reduce considerably the total capacity.

## Reference: CBI28S1B

### Enopodročna vinska vitrina

### Popolnoma vgradna



#### > VKLJUČENA OPREMA

- 2 fiksni leseni polici
- Sistem proti vibraciji

#### > TEHNIČNE ZNAČILNOSTI

- Energijski razred: A
- Poraba električne energije: 138 kWh
- Klimatski razred: SN-N (10°C - 32°C)
- Glasnost: 42 dB
- Napetost: 220-240 V
- Moč: 65 W
- Vrsta plina: R600a

#### > LOGISTIČNI PODATKI

Bruto dimenzije (ŠxGxV cm)	: 65 x 65 x 51,5
Neto dimenzije (ŠxGxV cm)	: 59 x 56,3 x 45,5
Bruto teža (kg)	: 30.00
Neto teža (kg)	: 26.60

EAN 3595320106343